

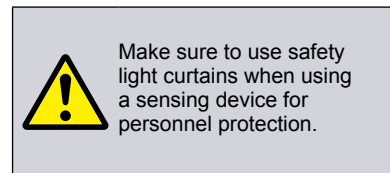
Compact Size Picking Sensor

NA1-PK3 SERIES



Compact Size Picking Sensor

NA1-PK3 SERIES



Boasts a compact, pocket lighter size enabling universal installation

Space-saving, pocket lighter-sized unit

Ultra compact size: W24 × H70 × D8 mm **W0.945 × H2.756 × D0.315 in.**
Can even be mounted within the small space constraints of parts containers.



NA1-PK3

Pocket lighter

Utilizes a large, bright, clearly visible job indicator

The ultra compact body incorporates a job indicator approx. 50 mm **1.969 in** tall. Due to its brightness and high visibility, it is now possible to check sensor operation even from a distance.



APPLICATIONS

Cell production line



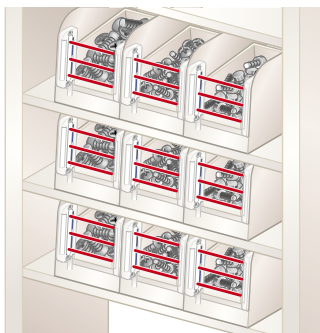
Assembly line



BASIC PERFORMANCE

No synchronization wires required

Synchronization wires are not required, due to the utilization of a synchronized scanning system that results in a reduction of wiring man-hours. In addition, the sensors can be switched among three different emission frequencies, allowing up to three sets of sensors to be installed closely together in the same vertical plane, without causing mutual interference. Even when installed in multistage shelving, malfunctions due to mutual interference will not occur. (When mounted horizontally, a maximum of two sensor sets may be used side-by-side, without interference.)



FUNCTIONS

Switchable output operation

Output operation can be switched to suit the desired application.

OPTIONS

Sensor protection brackets are available

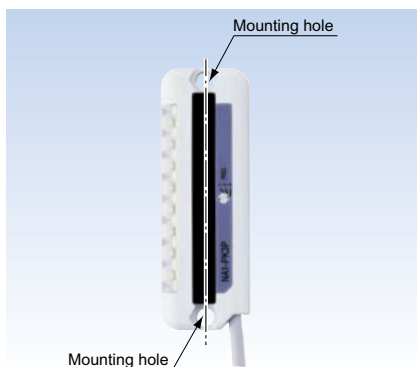
Sensor protection brackets are now available (optional), to protect sensors from damage due to tools and other objects. The protection brackets have a black coating, which enhances the visual effectiveness of the job indicator.



MOUNTING

Easy alignment

The sensor's beam axis is directly in line with the mounting holes, making sensor alignment easier. Mounting can be performed simply by using M4 nuts.



Flexible cable orientation

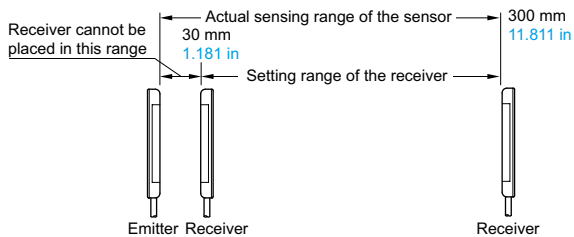
The cabling can be oriented in either of the two different directions: downward or sideways, thus permitting a flexible layout, in accordance with the sensor's mounting position.



ORDER GUIDE

Type	Appearance	Sensing range (Note 1)	Model No. (Note 2)	Output
NPN output			NA1-PK3	NPN open-collector transistor
PNP output			NA1-PK3-PN	PNP open-collector transistor

Notes: 1) The sensing range is the possible setting distance between the emitter and the receiver.



2) The model No. with "P" shown on the label affixed to the product is the emitter, "D" shown on the label is the receiver.

5 m 16.404 ft cable length type, pigtailed type

5 m 16.404 ft cable length type (standard: 2 m 6.562 ft) and pigtailed type (standard: cable type) are also available.

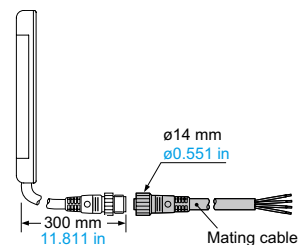
Table of Model Nos.

Type	Standard type	5 m 16.404 ft cable length type	Pigtailed type (Note)
NPN output	NA1-PK3	NA1-PK3-C5	NA1-PK3-J
PNP output	NA1-PK3-PN	NA1-PK3-PN-C5	NA1-PK3-PN-J

Note: Please order the suitable mating cable separately for pigtailed type.

Mating cable (2 cables are required.)

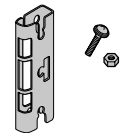
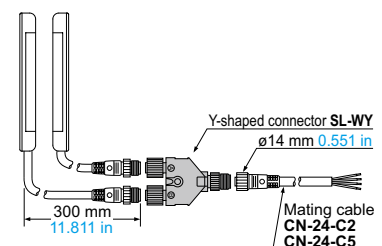
Model No.	Description
CN-24-C2	4-core, cable length 2 m 6.562 ft
CN-24-C5	4-core, cable length 5 m 16.404 ft

**OPTIONS**

Designation	Model No.	Description
Sensor protection bracket	MS-NA3-3	It protects the sensor body. Two black bracket set [Four M4 (length 15 mm 0.591 in) screws with washers, and four nuts are attached.]
Y-shaped connector	SL-WY 5 pcs. per set	This connector is able to combine the cables of receiver and emitter into one.

Sensor protection bracket**MS-NA3-3**

Two bracket set
[Four M4 (length 15 mm 0.591 in) screws with washers, and four nuts are attached.]

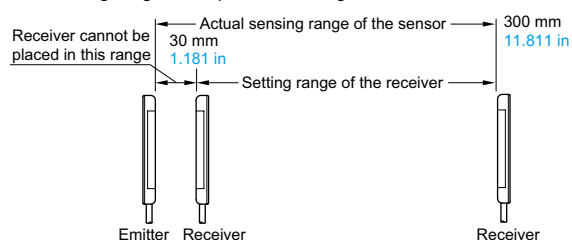
**Y-shaped connector****SL-WY**

SPECIFICATIONS

Type	NPN output		PNP output	
Item	Model No.	NA1-PK3		NA1-PK3-PN
CE marking directive compliance	EMC Directive, RoHS Directive			
Sensing height	49.2 mm 1.937 in			
Sensing range (Note 2)	30 to 300 mm 1.181 to 11.811 in			
Beam pitch	24.6 mm 0.969 in			
Number of beam channels	3 beam channels			
Sensing object	ø29 mm ø 1.142 in or more opaque object (completely beam interrupted object)			
Supply voltage	12 to 24 V DC ±10 % Ripple P-P 10 % or less			
Current consumption	Emitter: 30 mA or less, Receiver: 50 mA or less			
Output	NPN open-collector transistor		PNP open-collector transistor	
	<ul style="list-style-type: none"> • Maximum sink current: 100 mA • Applied voltage: 30 V DC or less (between output and 0 V) • Residual voltage: 1 V or less (at 100 mA sink current) 0.4 V or less (at 16 mA sink current) 		<ul style="list-style-type: none"> • Maximum source current: 100 mA • Applied voltage: 30 V DC or less (between output and +V) • Residual voltage: 1 V or less (at 100 mA source current) 0.4 V or less (at 16 mA source current) 	
	Utilization category	DC-12 or DC-13		
	Output operation	ON or OFF when one or more beam channels are interrupted, selectable by operation mode switch		
Short-circuit protection	Incorporated			
Response time	10 ms or less (when interference prevention function is used: 30 ms or less)			
Indicators	Emitter	Power indicator: Green LED (lights up when the power is ON) Job indicator: Orange LED (lights up when the job indicator input is Low)	Power indicator: Green LED (lights up when the power is ON) Job indicator: Orange LED (lights up when the job indicator input is High)	
	Receiver	Operation indicator: Red LED (lights up when the output is ON) Stable incident beam indicator: Green LED (lights up when all beam channels are stably received) Job indicator: Orange LED (lights up when the job indicator input is Low)	Operation indicator: Red LED (lights up when the output is ON) Stable incident beam indicator: Green LED (lights up when all beam channels are stably received) Job indicator: Orange LED (lights up when the job indicator input is High)	
Interference prevention function	Incorporated (Up to 3 units can be mounted close together.) (Note 3)			
Environmental resistance	Pollution degree	3 (Industrial environment)		
	Protection	IP62 (IEC)		
	Ambient temperature	-10 to +55 °C +14 to +131 °F (No dew condensation or icing allowed), Storage: -20 to +70 °C -4 to +158 °F		
	Ambient humidity	35 to 85 % RH, Storage: 35 to 85 % RH		
	Ambient illuminance	Incandescent light: 3,000 lx or less at the light-receiving face		
	Voltage withstandability	1,000 V AC for one min. between all supply terminals connected together and enclosure		
	Insulation resistance	20 MΩ, or more, with 250 V DC megger between all supply terminals connected together and enclosure		
	Vibration resistance	10 to 150 Hz frequency, 0.75 mm 0.030 in (5 G max.) double amplitude in X, Y and Z directions for two hours each		
Shock resistance	500 m/s ² acceleration (50 G approx.) in X, Y and Z directions three times each			
Emitting element	Infrared LED (synchronized scanning system)			
Material	Enclosure: Heat-resistant ABS, Lens cover: Acrylic, Indicator cover: Acrylic			
Cable	0.2 mm ² 4-core (emitter: 3-core) oil resistant cabtyre cable, 2 m 6.562 ft long			
Cable extension	Extension up to total 100 m 328.084 ft is possible for both emitter and receiver with 0.3 mm ² , or more, cable.			
Net weight	Emitter: 50 g approx., Receiver: 50 g approx.			

Notes: 1) Where measurement conditions have not been specified precisely, the conditions used were an ambient temperature of +23 °C **+73.4 °F**.

2) The sensing range is the possible setting distance between the emitter and the receiver.

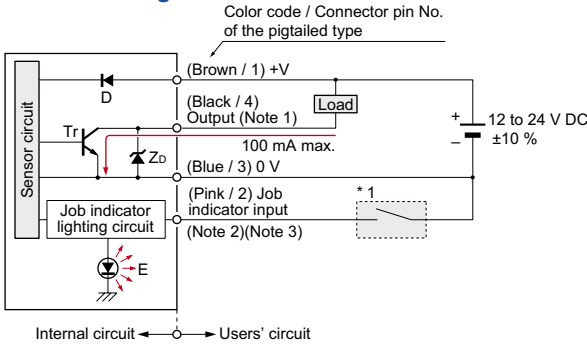


3) For more details, refer to the "Interference prevention function (p.7)" in "PRECAUTIONS FOR PROPER USE".

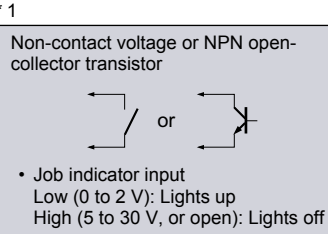
I/O CIRCUIT AND WIRING DIAGRAMS

NPN output type

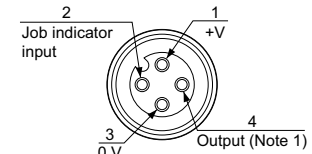
I/O circuit diagram



Symbols...D : Reserve supply polarity protection diode
Zd: Surge absorption zener diode
Tr: NPN output transistor
E : Job indicator (IND.)



Connector pin position (Pigtailed type)

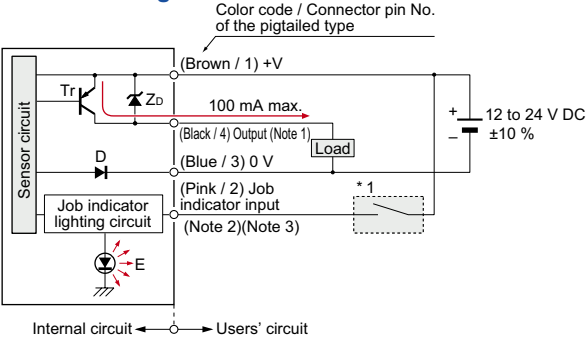


Notes: 1) No connection is required for the emitter.
2) The pin position for the **SL-WY** Y-shaped connector (optional) is identical to the receiver.

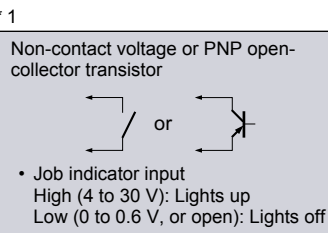
- Notes: 1) The emitter does not incorporate the output (black).
2) If a mating cable is connected to the pigtailed type, then the lead wire color is "white".
3) When the job indicator is used as a large size operation indicator, connect the job indicator input wire (pink) of the emitter and the receiver to the output wire (black) of the receiver.

PNP output type

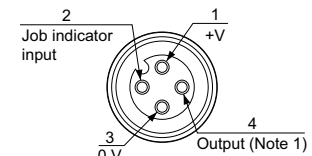
I/O circuit diagram



Symbols...D : Reserve supply polarity protection diode
Zd: Surge absorption zener diode
Tr: PNP output transistor
E : Job indicator (IND.)



Connector pin position (Pigtailed type)



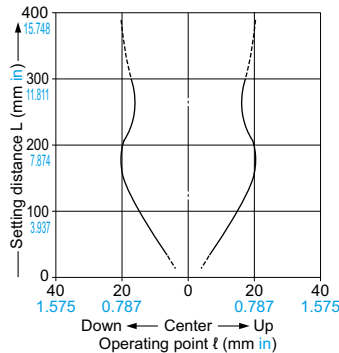
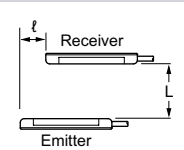
Notes: 1) No connection is required for the emitter.
2) The pin position for the **SL-WY** Y-shaped connector (optional) is identical to the receiver.

- Notes: 1) The emitter does not incorporate the output (black).
2) If a mating cable is connected to the pigtailed type, then the lead wire color is "white".
3) When the job indicator is used as a large size operation indicator, connect the job indicator input wire (pink) of the emitter and the receiver to the output wire (black) of the receiver.

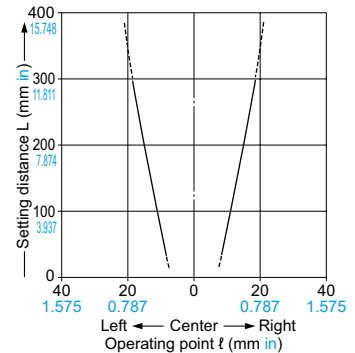
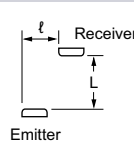
SENSING CHARACTERISTICS (TYPICAL)

Parallel deviation

Vertical direction

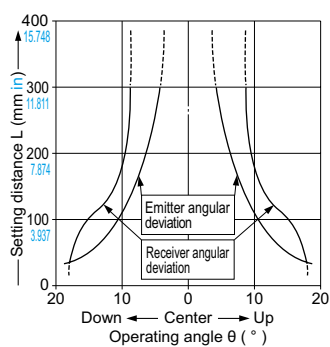
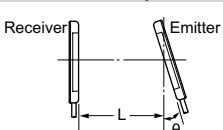


Horizontal direction

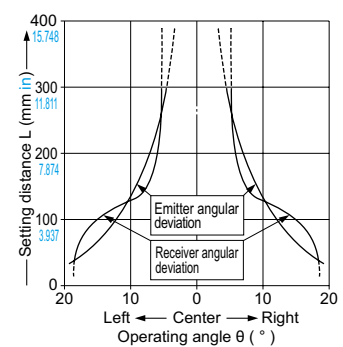
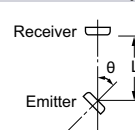


Angular deviation

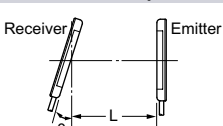
Vertical direction emitter angular deviation



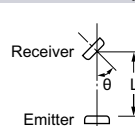
Horizontal direction emitter angular deviation



Vertical direction receiver angular deviation



Horizontal direction receiver angular deviation

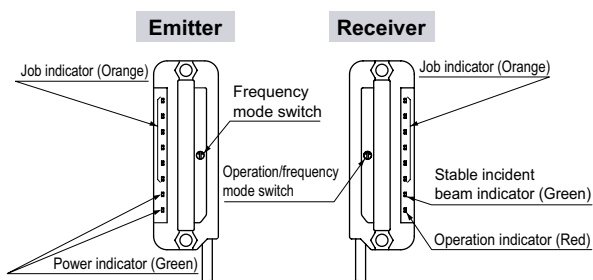


PRECAUTIONS FOR PROPER USE



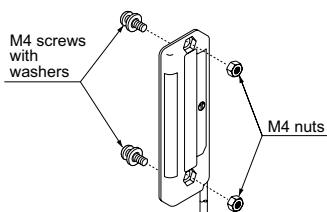
- Never use this product as a sensing device for personnel protection.
- For sensing devices to be used as safety devices for press machines or for personnel protection, use products which meet standards, such as OSHA, ANSI or IEC etc., for personnel protection applicable in each region or country.
- If this product is used as a sensing device for personnel protection, death or serious body injury could result.
- For a product which meets safety standards, use the safety light curtain.

Part description



Mounting

- Use M4 screws with washers and M4 nuts. The tightening torque should be 0.5 N·m or less. (Purchase the screws and nuts separately.)



Selection of operation

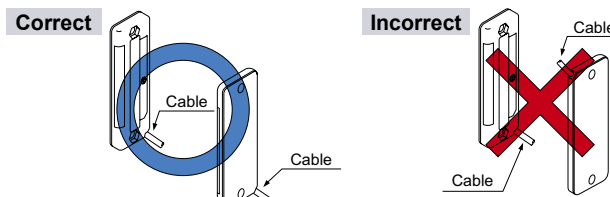
- The output operation can be selected by the operation/frequency selection switch on the receiver. (Make sure that the power supply is off while setting the selection switch.)

	State of operation/frequency selection switch	Output operation
L-ON	FREQ. 3, 2, 1 (switch position 1) D-ON 1 (switch position 2)	OFF when one or more beams are interrupted.
D-ON	FREQ. 3, 2, 1 (switch position 2) D-ON 1 (switch position 1)	ON when one or more beams are interrupted.

- Notes: 1) Selection of the output operation and the frequency for the receiver is carried out with the same switch. When the output operation is set, be sure to select the same frequency No. of the emitter and the receiver.
2) In case the operation/frequency selection switch is set to the position other than 1, 2 or 3, the state of the receiver is in D-ON / frequency 1.

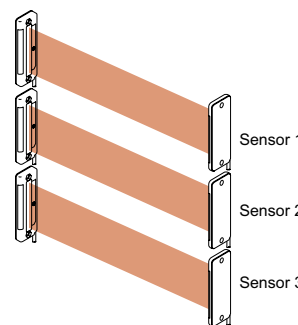
Orientation

- The emitter and the receiver must face each other correctly. If they are set upside down, the sensor does not work.

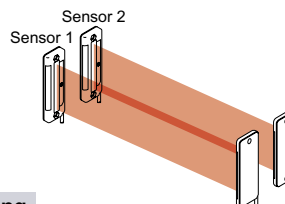


Interference prevention function

- By setting different emission frequencies, three units of **NA1-PK3** can be mounted close together, as shown in the figure on the below.



- However, if the sensors are mounted close together as shown in the figure below, up to 2 sets of sensors are possible.



Frequency setting

- Set the both emitting and receiving frequency of Sensor 1 to FREQ. 1, the both emitting and receiving frequency of Sensor 2 to FREQ. 2 and the both emitting and receiving frequency of Sensor 3 to FREQ. 3. (Make sure that the power supply is off while setting the selection switch.)

		Emitter	Receiver
		Frequency selection switch	Operation/frequency selection switch
Sensor 1	L-ON	FREQ. 1 (switch position 1)	FREQ. 3, 2, 1 (switch position 1) D-ON 1 (switch position 2)
	D-ON	FREQ. 1 (switch position 2)	FREQ. 3, 2, 1 (switch position 2) D-ON 1 (switch position 1)
Sensor 2	L-ON	FREQ. 2 (switch position 1)	FREQ. 3, 2, 1 (switch position 1) D-ON 1 (switch position 2)
	D-ON	FREQ. 2 (switch position 2)	FREQ. 3, 2, 1 (switch position 2) D-ON 1 (switch position 1)
Sensor 3	L-ON	FREQ. 3 (switch position 1)	FREQ. 3, 2, 1 (switch position 1) D-ON 1 (switch position 2)
	D-ON	FREQ. 3 (switch position 2)	FREQ. 3, 2, 1 (switch position 2) D-ON 1 (switch position 1)

- Notes: 1) Take care that selection of the output operation and the frequency for the receiver is carried out with the same switch.
2) In case the frequency switch and the operation/frequency selection switch is set to the position other than 1, 2 or 3, the state of the emitter is in frequency 1 and that of the receiver is in D-ON / frequency 1.

PRECAUTIONS FOR PROPER USE

Wiring

- Make sure that the power supply is off while wiring and setting the selection switch.
- Take care that wrong wiring may damage the sensor.
- Verify that the supply voltage variation is within the rating.
- If power is supplied from a commercial switching regulator, ensure that the frame ground (F.G.) terminal of the power supply is connected to an actual ground.
- In case noise generating equipment (switching regulator, inverter motor, etc.) is used in the vicinity of the sensor, connect the frame ground (F.G.) terminal of the equipment to an actual ground.
- Extension up to total 100 m **328.084 ft** is possible with 0.3 mm², or more, cable for both emitter and receiver. However, in order to reduce noise, make the wiring as short as possible.
- Do not run the wires together with high-voltage lines or power lines or put them in the same raceway. This can cause malfunction due to induction.

- Make sure to use an isolation transformer for the DC power supply. If an auto-transformer (single winding transformer) is used, this product or the power supply may get damaged.
- In case a surge is generated in the used power supply, connect a surge absorber to the supply and absorb the surge.

Others

- Do not use during the initial transient time (0.5 sec.) after the power supply is switched on.
- Take care that the sensor is not directly exposed to fluorescent light from a rapid-starter lamp or a high frequency lighting device, as it may affect the sensing performance.
- Avoid dust, dirt, and steam.
- Take care that the product does not come in direct contact with water, oil, grease or organic solvents, such as, thinner, etc.
- To select the switch, a minus screwdriver is necessary. (Tip dimension: 2.5 × 0.6 mm **0.098 × 0.024 in**)
- These sensors are only for indoor use.

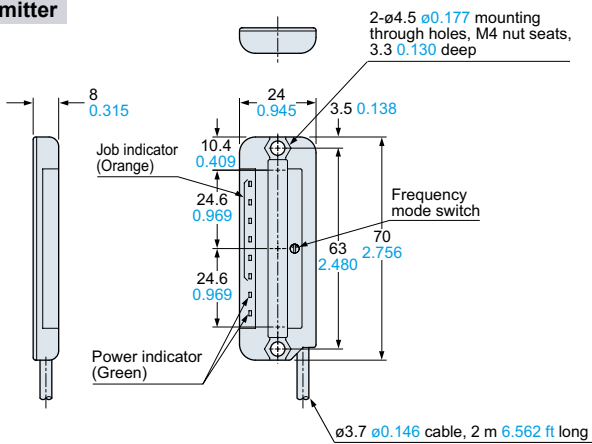
DIMENSIONS (Unit: mm in)

The CAD data can be downloaded from our website.

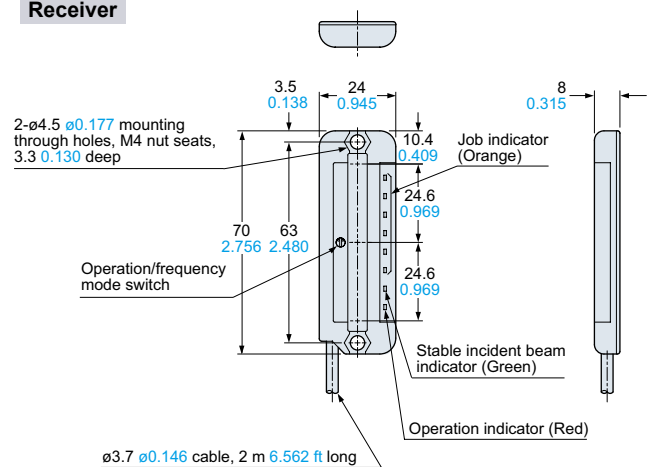
NA1-PK3 NA1-PK3-PN

Sensor

Emitter



Receiver



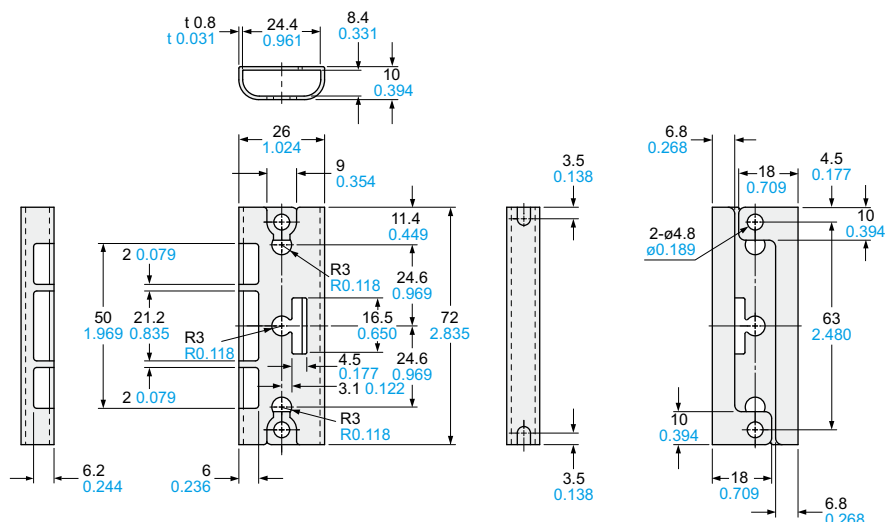
MS-NA3-3

Sensor protection bracket (Optional)

Material: Cold rolled carbon steel (SPCC)
(Black chromate)

Two bracket set
[Four M4 (length 15 mm **0.591 in**) screws with washers and four nuts are attached.]

Note: The sensor protection bracket can be used for both the emitter and the receiver.



Disclaimer

The applications described in the catalog are all intended for examples only. The purchase of our products described in the catalog shall not be regarded as granting of a license to use our products in the described applications. We do NOT warrant that we have obtained some intellectual properties, such as patent rights, with respect to such applications, or that the described applications may not infringe any intellectual property rights, such as patent rights, of a third party.

Panasonic
INDUSTRY

Panasonic Industry Co., Ltd.

Industrial Device Business Division

7-1-1, Morofuku, Daito-shi, Osaka 574-0044, Japan

industrial.panasonic.com/ac/e/